

Nano-N3022

10th Gen Intel® Core™ Processor - MINI PC

FEATURES



- Fanless Aluminum Design
- 10th Gen Intel® Core™ Processor
- 1 × DDR4, Max. 32G
- 1 × M.2 2280, 1 × 2.5-inch HDD
- 2 × COM Ports (2 COM × RS232/RS485 optional)
- DC 12V

SPECIFICATION

SYSTEM	
Processor	Intel® Core™ i3-10110U (dual core 4 threads, 2.1 GHz, Max. Turbo 4.1 GHz, 4 MB cache) Intel® Core™ i5-10210U (quad core 8 threads, 1.6G,Max. Turbo 4.2G, 6MB Cache)
CPU Architecture	Comet Lake
Memory	1 × DDR4 2666/2933 SODIMM, Max. 32 GB
BIOS	AMI EFI BIOS
Display Chip	Intel® UHD Graphics
Display Port	1 × HDMI 1 × DP
Storage	1 × M.2 2280 1 × 2.5-inch HDD Support RAID 0/1
Expansion	1 × M.2 2280 (support M.2 PCIe ×4 and M.2 SATA SSD) 1 × Mini PCIe (WiFi/3G/4G choose 1 from 3), embedded SIM Card Slot
OS Support	Windows 10, Linux
Front I/O	1 × Power Button 4 × USB 3.0 1 × SIM Card Slot 2 × COM Ports (2 ×COM RS232/RS485 optional)
Rear I/O	1 × Audio (support Mic & Speaker at the same time) 2 × USB 2.0 1 × DP 1 × HDMI 1 × DC-In 2 × Intel 1000Mbps LAN Ports
Ethernet	2 × Intel i211-AT 10/100/1000M LAN
Power	DC 12V
Application	Business Office, HD Video Playback, Electronic Education, Industrial Automation etc.
ENVIRONMENT	
Operating Temperature	0°C ~ 40°C (Commercial HDD), -20°C ~ 50°C (Industrial SSD), surface air flow
Relative Humidity	5% ~ 95% (non-condensing)
Certification	CE, CCC, FCC Class A, RoHS
MECHANISM	
Dimension	186 × 126.5 × 66 mm
Net Weight	1.3 kg



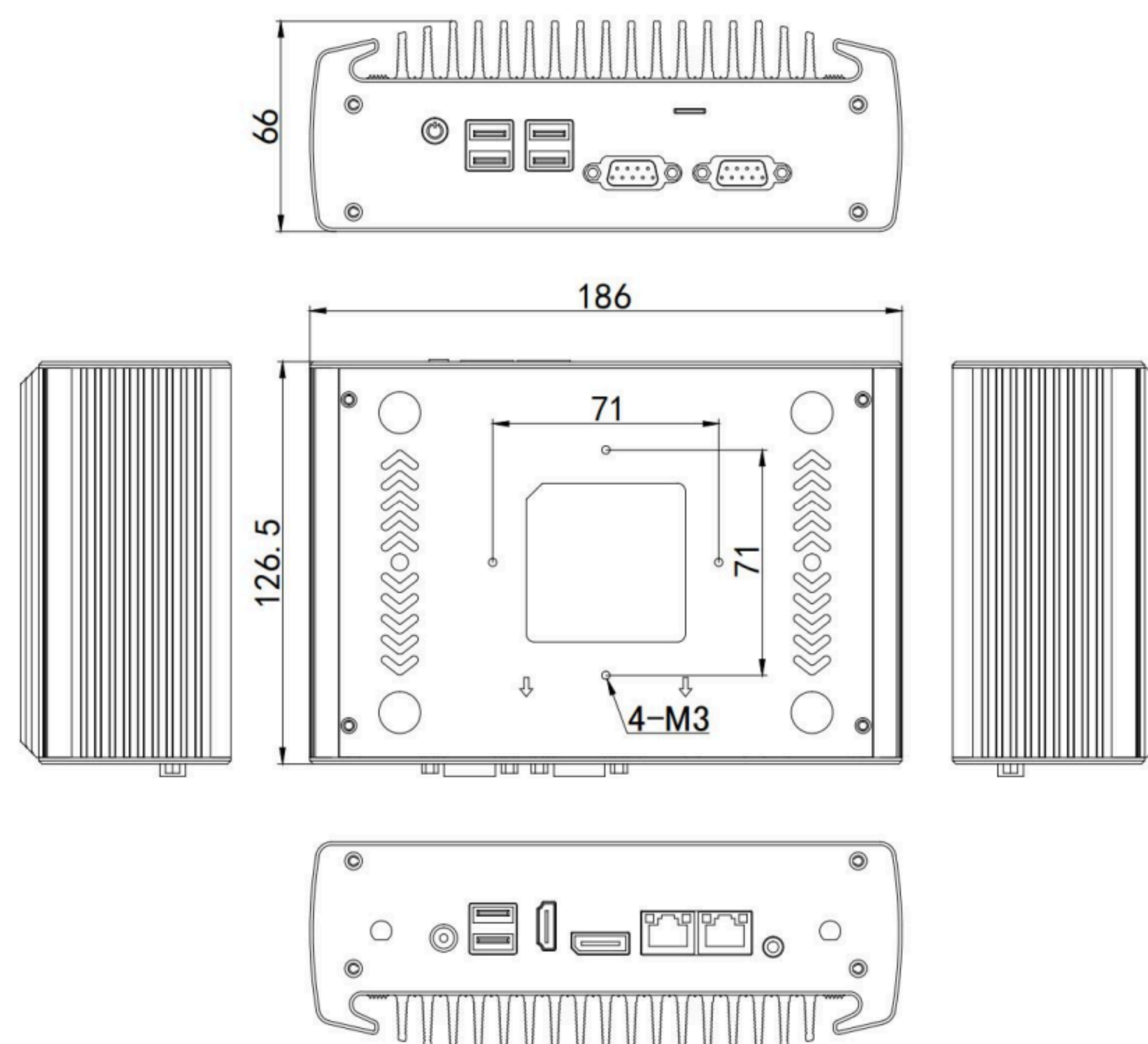
Front View



Rear View

DIMENSION

unit:mm



ORDER INFORMATION

Nano-N3022	CPU	Specification
Configuration 1	Intel® Core™ i3-10110U	Standard Port
Configuration 2	Intel® Core™ i5-10210U	Standard Port

ACCESSORY

Part Name	Quantity	Specification
Power Adapter	1	i3 10110U suggest 12V 5A i5 10210U suggest 12V 5A
Power Cord	1	CN, US, UK, EU etc.